

# HF 300

Grid 2,54  
Spring travel 7,50 mm

## Technical Data

Minimum grid distance:	2,54 mm
Maximum spring travel:	7,50 mm
Recommended lifting height:	80%
Spring force at 4/5 spring travel:	1,2 N
E-value (collar height) defines the installation height	2 mm
Rated current:	3 A
Contact resistance:	<20 mΩ
Pin housing:	Brass, gold-plated
Barrel:	Brass, gold-plated
Spring:	Steel, gold-plated
Piston:	BeCu, gold-plated

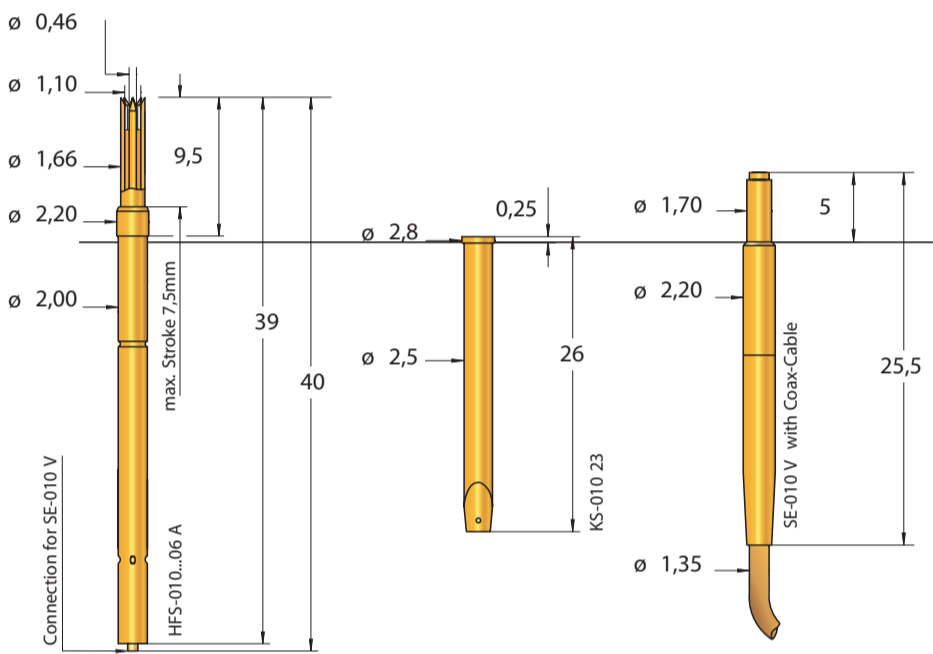


Figure	Type	ø(mm)	Electro- plating
--------	------	-------	------------------

### Available Head shapes Inner Conductor

	SP	0,50	A
	KR	0,50	A

### Available Head shapes Outer Plunger


Alternative Head shapes are available.

### Sample Order:

Series	Head Shape	Ø Head	Electroplating	Lifting Height	Spring Pin	Collar Height
FS 254	FL	20	A	50	15	10

